



**TRANSPORTATION CABINET**

Frankfort, Kentucky 40622  
www.transportation.ky.gov/

**Steven L. Beshear**  
Governor

**Michael W. Hancock, P.E.**  
Secretary

July 7, 2014

CALL NO. 307  
CONTRACT ID NO. 141035  
ADDENDUM # 2

Subject: Rockcastle County, FD04 SPP 102 0075 058-066  
Letting July 11, 2014

- (1) Revised - Special Notes - Pages 37-38 & 44-47 of 165
- (2) Added - Special Notes - Pages 47(a)-47(b) of 165
- (3) Revised - Bid Items - Pages 163-165 of 165

Proposal revisions are available at <http://transportation.ky.gov/Construction-Procurement/>.

If you have any questions, please contact us at 502-564-3500.

Sincerely,

A handwritten signature in blue ink that reads "Diana Castle Radcliffe".

Diana Castle Radcliffe  
Director  
Division of Construction Procurement

DR:ks  
Enclosures



An Equal Opportunity Employer M/F/D

**PAVEMENT REHABILITATION SUMMARY  
I-75 ROCKCASTLE COUNTY  
MP 58.954 TO MP 65.220  
ITEM NUMBERS 8-2010.0 & 8-2011.0**

| ITEM NUMBER | ITEM                                       |           | QUANTITY | UNIT     |
|-------------|--|-----------|----------|----------|
| 1           | DGA BASE                                   | (1)       | 582      | TON      |
| 18          | DRAINAGE BLANKET-TYPE II-ASPH              | (2)       | 2149     | TON      |
| 78          | CRUSHED AGGREGATE SIZE NO. 2               | (3)       | 131      | TON      |
| 100         | ASPHALT SEAL AGGREGATE                     | (4)       | 1456     | TON      |
| 103         | ASPHALT SEAL COAT                          | (5)       | 175      | TON      |
| 194         | LEVELING AND WEDGING PG76-22               | (6)       | 377      | TON      |
| 214         | CL3 ASPH BASE 1.0D PG64-22                 | (7)       | 16740    | TON      |
| 214         | CL3 ASPH BASE 1.0D PG64-22                 | (2)       | 2167     | TON      |
| 219         | CL4 ASPH BASE 1.0D PG76-22                 |           | 43410    | TON      |
| 339         | CL3 ASPH SURF 0.38D PG64-22                | (8)       | 4801     | TON      |
| 342         | CL4 ASPH SURF 0.38A PG76-22                |           | 14383    | TON      |
| 389         | CL3 ASPH SURF 0.38D PG76-22                |           | 1636     | TON      |
| 461         | CULVERT PIPE - 15 IN                       | (9)       | 40       | LIN FT   |
| 462         | CULVERT PIPE - 18 IN                       |           | 8        | LIN FT   |
| 464         | CULVERT PIPE - 24 IN                       |           | 4        | LIN FT   |
| 1000        | PERFORATED PIPE 4 INCH                     |           | 61427    | LIN FT   |
| 1001        | PERFORATED PIPE 6 INCH                     |           | 3038     | LIN FT   |
| 1010        | NON-PERFORATED PIPE 4 INCH                 |           | 1404     | LIN FT   |
| 1011        | NON-PERFORATED PIPE 6 INCH                 |           | 108      | LIN FT   |
| 1015        | INSPECT & CERTIFY EDGE DRAIN SYSTEM        |           | 1        | LUMP SUM |
| 1020        | PERF PIPE HEADWALL TY 1-4 IN               |           | 52       | EACH     |
| 1021        | PERF PIPE HEADWALL TY 1-6 IN               |           | 5        | EACH     |
| 1024        | PERF PIPE HEADWALL TY 2-4 IN               |           | 12       | EACH     |
| 1028        | PERF PIPE HEADWALL TY 3-4 IN               |           | 53       | EACH     |
| 1029        | PERF PIPE HEADWALL TY 3-6 IN               |           | 4        | EACH     |
| 1202        | PIPE CULVERT HEADWALL - 15 IN              | (9)       | 1        | EACH     |
| 1204        | PIPE CULVERT HEADWALL - 18 IN              |           | 1        | EACH     |
| 1451        | SLOPED AND FLARED BOX INLET/OUTLET 24 INCH |           | 1        | EACH     |
| 1691        | FLUME INLET TYPE 2                         |           | 2        | EACH     |
| 1820        | LIP CURB AND GUTTER                        | (10)      | 854      | LIN FT   |
| 1904        | REMOVE CURB                                | (11)      | 854      | LIN FT   |
| 1982        | DELINEATOR FOR GUARDRAIL - WHITE           |           | 468      | EACH     |
| 1983        | DELINEATOR FOR GUARDRAIL - YELLOW          |           | 17       | EACH     |
| 1984        | DELINEATOR FOR BARRIER - WHITE             |           | 54       | EACH     |
| 1985        | DELINEATOR FOR BARRIER - YELLOW            |           | 54       | EACH     |
| 2110        | PARTIAL DEPTH PATCHING                     | (12)      | 27       | CU FT    |
| 2200        | ROADWAY EXCAVATION                         | (13)      | 515      | CU YD    |
| 2220        | FLOWABLE FILL                              |           | 3        | CU YD    |
| 2237        | DITCHING                                   | (14)      | 33000    | LIN FT   |
| 2352        | GUARDRAIL-STEEL W BEAM-D FACE              |           | 687.5    | LIN FT   |
| 2360        | GUARDRAIL TERMINAL SECTION NO 1            |           | 5        | EACH     |
| 2363        | GUARDRAIL CONNECTOR TO BRIDGE END TYPE A   |           | 10       | EACH     |
| 2365        | CRASH CUSHION TYPE IX-A                    |           | 5        | EACH     |
| 2367        | GUARDRAIL END TREATMENT TYPE 1             | (15)      | 23       | EACH     |
| 2369        | GUARDRAIL END TREATMENT TYPE 2A            |           | 39       | EACH     |
| 2373        | GUARDRAIL END TREATMENT TYPE 3             |           | 3        | EACH     |
| 2381        | REMOVE GUARDRAIL                           | (16)      | 38025.0  | LIN FT   |
| 2387        | GUARDRAIL CONNECTOR TO BRIDGE END TY A-1   |           | 7        | EACH     |
| 2391        | GUARDRAIL END TREATMENT TYPE 4A            |           | 3        | EACH     |
| 2483        | CHANNEL LINING CLASS II                    | (17)      | 40       | TON      |
| 2484        | CHANNEL LINING CLASS III                   | (17) (18) | 136      | TON      |
| 2562        | SIGNS                                      | (19)      | 1000     | SQ FT    |
| 2565        | OBJECT MARKER TYPE 2                       |           | 10       | EACH     |
| 2568        | MOBILIZATION                               |           | 1        | LUMP SUM |
| 2569        | DEMOBILIZATION                             |           | 1        | LUMP SUM |
| 2650        | MAINTAIN AND CONTROL TRAFFIC               |           | 1        | LUMP SUM |
| 2671        | PORTABLE CHANGEABLE MESSAGE SIGN           | (20)      | 4        | EACH     |
| 2676        | MOBILIZATION FOR MILLING & TEXTURING       |           | 1        | LUMP SUM |
| 2677        | ASPHALT PAVE MILLING & TEXTURING           |           | 25263    | TON      |
| 2696        | SHOULDER RUMBLE STRIPS-SAWED               |           | 130541   | LF       |
| 2775        | ARROW PANEL                                | (20)      | 2        | EACH     |
| 6412        | STEEL POST MILE MARKERS                    | (21)      | 14       | EACH     |
| 6417        | FLEXIBLE DELINEATOR POST-W                 |           | 401      | EACH     |
| 6418        | FLEXIBLE DELINEATOR POST-Y                 |           | 69       | EACH     |
| 6511        | PAVEMENT STRIPING-TEMP PAINT -6 INCH       |           | 383142   | LIN FT   |
| 6556        | PAVE STRIPING-DUR TY 1-6 IN W              |           | 673      | LIN FT   |
| 6557        | PAVE STRIPING-DUR TY 1-6 IN Y              |           | 538      | LIN FT   |
| 6568        | PAVE MARK-THERMO STOP BAR-24 IN            | (22)      | 183      | LIN FT   |
| 6592        | PAVEMENT MARKER TYPE V- B W/R              |           | 925      | EACH     |
| 6593        | PAVEMENT MARKER TYPE V- B Y/R              |           | 160      | EACH     |
| 6600        | REMOVE PAVEMENT MARKER TYPE V              |           | 200      | EACH     |
| 8100        | CLASS A CONCRETE                           | (23)      | 5        | CU YD    |
| 10020NS     | FUEL ADJUSTMENT                            |           | 114172   | DOLLAR   |
| 10030NS     | ASPHALT ADJUSTMENT                         |           | 201195   | DOLLAR   |
| 20366NN     | REPLACE GRATE                              |           | 3        | EACH     |
| 20432ES112  | REMOVE CRASH CUSHION                       |           | 5        | EACH     |
| 20465EC     | CLEAN CULVERT                              |           | 1        | LUMP SUM |
| 20757ED     | PAVEMENT REPAIR                            | (24)      | 100      | SQ YD    |

**PAVEMENT REHABILITATION SUMMARY  
I-75 ROCKCASTLE COUNTY  
MP 58.954 TO MP 65.220  
ITEM NUMBERS 8-2010.0 & 8-2011.0**

| ITEM NUMBER | ITEM  | QUANTITY | UNIT     |
|-------------|---|----------|----------|
| 21533EN     | EMBANKMENT (25)                                 | 100      | SQ YD    |
| 21802EN     | GUARDRAIL-STEEL W BEAM-S FACE (7 FT POST) (26)  | 39425.0  | LIN FT   |
| 23143ED     | K.P.D.E.S. PERMIT AND TEMPORARY EROSION CONTROL | 1        | LUMP SUM |
| 24189ER     | DURABLE WATERBORNE MARKING-6 IN W               | 88841    | LIN FT   |
| 24190ER     | DURABLE WATERBORNE MARKING-6 IN Y               | 71686    | LIN FT   |
| 214191ER    | DURABLE WATERBORNE MARKING-12 IN                | 2745     | LIN FT   |
|             | SPECIAL CONCRETE HEADER CURB                    | 260      | LIN FT   |

- (1) Includes 385 tons from the pavement summary and 197 tons for pipe repair at NB MP 66.3 as field verified and directed by the Engineer.
- (2) Included for edge drain pipe system as shown in the typical sections or as directed by the Engineer.
- (3) Includes 126 tons carried over from Perforated Pipe Summary to be used to repair washouts behind guardrail and around perforated pipe headwalls and 5 tons carried over from the Drainage Summary
- (4) Includes 1444 tons from the pavement summary and 12 tons for pipe repair at NB MP 66.3 as field verified and directed by the Engineer.
- (5) Includes 173 tons from the pavement summary and 2 tons for pipe repair at NB MP 66.3 as field verified and directed by the Engineer.
- (6) Includes 277 tons from the pavement summary and 100 tons to be used as directed by the Engineer.
- (7) Includes 16505 tons from the pavement summary and 235 tons for pipe repair at NB MP 66.3 as field verified and directed by the Engineer.
- (8) Includes 4759 tons from the pavement summary and 42 tons for pipe repair at NB MP 66.3 as field verified and directed by the Engineer.
- (9) Quantity included for pipe repair at NB MP 66.3 as field verified and directed by the Engineer.
- (10) For replacing the existing median roll curb on US 25 (Exit 62)
- (11) For removal of existing curb on median at US 25 (Exit 62) from Sta. 50+91 to Sta. 55+19
- (12) For partial depth concrete bridge repairs as directed by the engineer.
- (13) Includes 415 Cu Yds for Existing Shoulder and Median Replacement on US 25 (See Project Notes) and 100 Cu Yds for pipe repair at NB MP 66.3 as field verified and directed by the Engineer.
- (14) Ditching is intended for repair of the eroded areas in the median, pipe outlet ditches, and cleaning of drainage structures. Any embankment required is incidental to ditching.
- (15) Includes 22 end treatments from the guardrail summary and 1 for pipe repair at NB MP 66.3 as field verified and directed by the Engineer.
- (16) Includes 36925 lin ft from the guardrail summary and 1100 lin ft for pipe repair at NB MP 66.3 as field verified and directed by the Engineer.
- (17) Geotextile Fabric Type 1 to be placed under Aggregate Channel Lining is considered incidental to the lining
- (18) Includes 126 tons from the drainage summary and 10 tons for pipe repair at NB MP 66.3 as field verified and directed by the Engineer.
- (19) Intended for temporary traffic control signs and includes initial placement only. Any relocation of these temporary signs required will not be paid for directly but will be considered incidental.
- (20) The quantity for these items includes the maximum in place at any one time. Any relocation required will not be paid for directly but will be considered incidental.
- (21) Replace mile post markers at M.P. 59, 60, 61, 62, 63, 64 and 65 in both directions.
- (22) To be placed at end of NB exit ramp Exit 59, SB exit ramp Exit 59, and NB exit ramp Exit 62.
- (23) To be used as directed by the Engineer for drainage structure repair.
- (24) To be used as directed by the Engineer for pavement repair (see detail).
- (25) Quantity to be used as directed by the Engineer. Contrary to the Standard Specifications, payment will be based on measured quantity **NOT** plan quantity.
- (26) Includes 38325 lin ft from the guardrail summary and 1100 lin ft for pipe repair at NB MP 66.3 as field verified and directed by the Engineer.

NOTE: Quantities from all summaries have been carried over and included in this General Summary

**NORTHBOUND PERFORATED PIPE SUMMARY**  
**I-75 ROCKCASTLE COUNTY**  
**MP 58.954 TO MP 65.220**  
**ITEM NUMBERS 8-2010.0 & 8-2011.0**

| Location   | Milepost | Units |      |      |      |      |      |      |      |      |    |   |   | Comments |   |  |
|--|----------|-------|------|------|------|------|------|------|------|------|----|---|---|----------|---|--|
|  |          | LF    |      |      |      |      |      | Each |      |      |    |   |   |          | Crushed Aggregate<br>Size No. 2<br>Tons |  |
|  |          | 1000  | 1001 | 1010 | 1011 | 1020 | 1021 | 1029 | 1024 | 1028 | 78 |   |   |          |   |  |
| OUTSIDE SHLDR.                                       | 58.99    |       |      | 12   |      |      |      |      |      | 1    |    |   |   |          | 1                                       | EDGE DRAIN OUTLET                                |
| OUTSIDE SHLDR.                                       | 59.04    | 252   |      | 12   |      |      |      |      |      | 1    |    |   |   |          | 1                                       | HIGH POINT OF ROADWAY PROFILE                    |
| OUTSIDE SHLDR.                                       | 59.11    | 412   |      | 12   |      |      |      |      |      | 1    |    |   |   |          | 1                                       | END EDGE DRAIN - EDGE DRAIN OUTLET               |
| EQUATION STA. 2960+43.91 BACK = STA. 3115+09.66 AHD. |          |       |      |      |      |      |      |      |      |      |    |   |   |          |   |  |
| OUTSIDE SHLDR.                                       | 59.18    | 12    |      | 12   |      |      |      |      |      |      |    |   |   | 1        | 1                                       | BEGIN EDGE DRAIN - EDGE DRAIN OUTLET             |
| OUTSIDE SHLDR.                                       | 59.26    | 477   |      | 12   |      |      |      |      |      |      |    |   |   | 1        | 1                                       | EDGE DRAIN OUTLET                                |
| OUTSIDE SHLDR.                                       | 59.36    | 512   |      | 12   |      |      |      |      |      |      |    | 1 |   |          | 1                                       | EDGE DRAIN OUTLET                                |
| OUTSIDE SHLDR.                                       | 59.45    | 512   |      | 12   |      |      |      |      |      | 1    |    |   |   |          | 1                                       | EDGE DRAIN OUTLET                                |
| OUTSIDE SHLDR.                                       | 59.55    | 512   |      | 12   |      |      |      |      |      | 1    |    |   |   |          | 1                                       | EDGE DRAIN OUTLET                                |
| OUTSIDE SHLDR.                                       | 59.65    | 512   |      | 12   |      |      |      |      |      | 1    |    |   |   |          | 1                                       | EDGE DRAIN OUTLET                                |
| OUTSIDE SHLDR.                                       | 59.75    | 512   |      | 12   |      |      |      |      |      | 1    |    |   |   |          | 1                                       | EDGE DRAIN OUTLET                                |
| OUTSIDE SHLDR.                                       | 59.84    | 512   |      | 12   |      |      |      |      |      | 1    |    |   |   |          | 1                                       | EDGE DRAIN OUTLET                                |
| OUTSIDE SHLDR.                                       | 59.94    | 512   |      | 12   |      |      |      |      |      | 1    |    |   |   |          | 1                                       | EDGE DRAIN OUTLET                                |
| OUTSIDE SHLDR.                                       | 60.03    | 512   |      | 12   |      |      |      |      |      | 1    |    |   |   |          | 1                                       | EDGE DRAIN OUTLET                                |
| OUTSIDE SHLDR.                                       | 60.11    | 385   | 12   | 12   |      |      |      |      |      |      |    |   |   |          | 1                                       | LOW POINT OF ROADWAY PROFILE - EDGE DRAIN OUTLET |
| OUTSIDE SHLDR.                                       | 60.17    | 322   |      | 12   |      |      |      |      |      |      |    |   |   | 1        | 1                                       | EDGE DRAIN OUTLET                                |
| OUTSIDE SHLDR.                                       | 60.26    | 512   |      | 12   |      |      |      |      |      | 1    |    |   |   |          | 1                                       | EDGE DRAIN OUTLET                                |
| OUTSIDE SHLDR.                                       | 60.35    | 512   |      | 12   |      |      |      |      |      | 1    |    |   |   |          | 1                                       | EDGE DRAIN OUTLET                                |
| OUTSIDE SHLDR.                                       | 60.45    | 512   |      | 12   |      |      |      |      |      | 1    |    |   |   |          | 1                                       | EDGE DRAIN OUTLET                                |
| OUTSIDE SHLDR.                                       | 60.54    | 512   |      | 12   |      |      |      |      |      | 1    |    |   |   |          | 1                                       | EDGE DRAIN OUTLET                                |
| OUTSIDE SHLDR.                                       | 60.64    | 512   |      | 12   |      |      |      |      |      | 1    |    |   |   |          | 1                                       | EDGE DRAIN OUTLET                                |
| OUTSIDE SHLDR.                                       | 60.74    | 500   |      | 12   |      |      |      |      |      |      |    |   |   |          | 1                                       | HIGH POINT OF ROADWAY PROFILE                    |
| OUTSIDE SHLDR.                                       | 60.83    | 512   |      | 12   |      |      |      |      |      |      |    |   |   |          | 1                                       | EDGE DRAIN OUTLET                                |
| OUTSIDE SHLDR.                                       | 60.93    | 512   |      | 12   |      |      |      |      |      |      |    |   |   |          | 1                                       | EDGE DRAIN OUTLET                                |
| OUTSIDE SHLDR.                                       | 61.02    | 512   |      | 12   |      |      |      |      |      |      |    |   | 1 |          | 1                                       | EDGE DRAIN OUTLET                                |
| OUTSIDE SHLDR.                                       | 61.11    | 512   |      | 12   |      |      |      |      |      | 1    |    |   |   |          | 1                                       | EDGE DRAIN OUTLET                                |
| OUTSIDE SHLDR.                                       | 61.21    | 512   |      | 12   |      |      |      |      |      | 1    |    |   |   |          | 1                                       | EDGE DRAIN OUTLET                                |
| OUTSIDE SHLDR.                                       | 61.30    | 512   |      | 12   |      |      |      |      |      | 1    |    |   |   |          | 1                                       | EDGE DRAIN OUTLET                                |
| OUTSIDE SHLDR.                                       | 61.40    | 512   |      | 12   |      |      |      |      |      | 1    |    |   |   |          | 1                                       | EDGE DRAIN OUTLET                                |
| OUTSIDE SHLDR.                                       | 61.49    | 512   |      | 12   |      |      |      |      |      | 1    |    |   |   |          | 1                                       | EDGE DRAIN OUTLET                                |
| OUTSIDE SHLDR.                                       | 61.59    | 512   |      | 12   |      |      |      |      |      | 1    |    |   |   |          | 1                                       | EDGE DRAIN OUTLET                                |
| OUTSIDE SHLDR.                                       | 61.68    | 512   |      | 12   |      |      |      |      |      | 1    |    |   |   |          | 1                                       | EDGE DRAIN OUTLET                                |
| EQUATION STA. 3251+68.57 BACK = STA. 3247+69.52 AHD. |          |       |      |      |      |      |      |      |      |      |    |   |   |          |   |  |
| OUTSIDE SHLDR.                                       | 61.79    | 512   |      | 12   |      |      |      |      |      |      |    |   |   |          | 1                                       | END EDGE DRAIN OUTLET ON RAMP D OUTSIDE SHLDR.   |
| OUTSIDE SHLDR.                                       | 61.84    |       |      | 12   |      |      |      |      |      |      |    |   |   |          | 1                                       | BEGIN EDGE DRAIN IN GORE                         |
| OUTSIDE SHLDR.                                       | 61.93    | 512   |      | 12   |      |      |      |      |      | 1    |    |   |   |          | 1                                       | EDGE DRAIN OUTLET                                |
| OUTSIDE SHLDR.                                       | 62.02    | 457   |      | 12   |      |      |      |      |      | 1    |    |   |   |          | 1                                       | EDGE DRAIN OUTLET - END EDGE DRAIN AT BRIDGE END |
| OUTSIDE SHLDR.                                       | 62.06    |       |      | 12   |      |      |      |      |      |      |    |   |   |          | 1                                       | BEGIN EDGE DRAIN AT BRIDGE END                   |
| OUTSIDE SHLDR.                                       | 62.16    | 512   |      | 12   |      |      |      |      |      | 1    |    |   |   |          | 1                                       | EDGE DRAIN OUTLET                                |
| OUTSIDE SHLDR.                                       | 62.27    | 612   |      | 12   |      |      |      |      |      | 12   |    |   |   |          | 1                                       | EDGE DRAIN OUTLET - END EDGE DRAIN               |
| OUTSIDE SHLDR.                                       | 62.31    |       |      | 12   |      |      |      |      |      |      |    |   |   |          | 1                                       | BEGIN EDGE DRAIN - OUTSIDE SHLDR. RAMP C         |
| OUTSIDE SHLDR.                                       | 62.40    | 462   |      | 12   |      |      |      |      |      |      |    |   |   |          | 1                                       | EDGE DRAIN OUTLET                                |
| OUTSIDE SHLDR.                                       | 62.48    | 462   |      | 12   |      |      |      |      |      |      |    |   |   |          | 1                                       | EDGE DRAIN OUTLET                                |

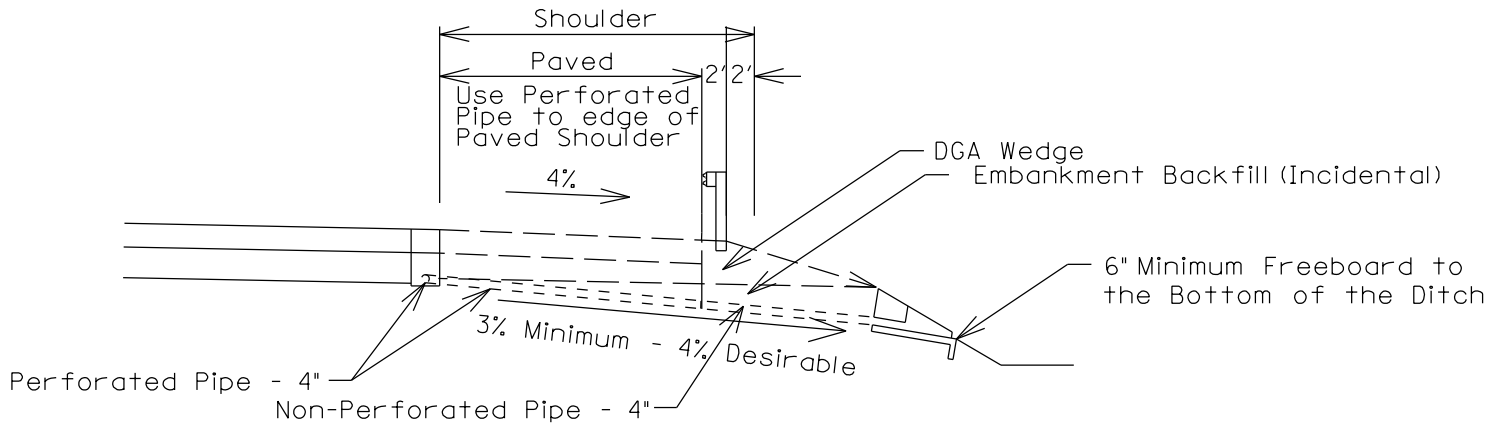


**SOUTHBOUND PERFORATED PIPE SUMMARY**  
**I-75 ROCKCASTLE COUNTY**  
**MP 58.954 TO MP 65.220**  
**ITEM NUMBERS 8-2010.0 & 8-2011.0**

| Location   | Milepost | Units |      |      |      |      |      |      |      |                              |      | Comments   |
|--|----------|-------|------|------|------|------|------|------|------|------------------------------|------|--|
|  |          | LF    |      |      |      |      | Each |      |      |                              |      |  |
| Item Number  | 1000     | 1001  | 1010 | 1011 | 1020 | 1021 | 1029 | 1024 | 1028 | Crushed Aggregate Size No. 2 | Tons |  |
| OUTSIDE SHLDR.                                       | 59.00    |       | 12   |      | 1    |      |      |      |      | 1                            | 78   | EDGE DRAIN OUTLET                                |
| OUTSIDE SHLDR.                                       | 59.04    |       |      |      |      |      |      |      |      |                              |      | HIGH POINT OF ROADWAY PROFILE                    |
| OUTSIDE SHLDR.                                       | 59.11    | 412   | 12   |      | 1    |      |      |      |      | 1                            |      | EDGE DRAIN OUTLET                                |
| EQUATION STA. 2960+43.91 BACK = STA. 3115+09.66 AHD. |          |       |      |      |      |      |      |      |      |                              |      |  |
| OUTSIDE SHLDR.                                       | 59.26    |       |      |      |      |      |      |      |      |                              |      | BEGIN EDGE DRAIN                                 |
| OUTSIDE SHLDR.                                       | 59.36    | 512   | 12   |      | 1    |      |      |      |      | 1                            |      | EDGE DRAIN OUTLET                                |
| OUTSIDE SHLDR.                                       | 59.45    | 512   | 12   |      | 1    |      |      |      |      | 1                            |      | EDGE DRAIN OUTLET                                |
| OUTSIDE SHLDR.                                       | 59.55    | 512   | 12   |      | 1    |      |      |      |      | 1                            |      | EDGE DRAIN OUTLET                                |
| OUTSIDE SHLDR.                                       | 59.65    | 512   | 12   |      | 1    |      |      |      |      | 1                            |      | EDGE DRAIN OUTLET                                |
| OUTSIDE SHLDR.                                       | 59.75    | 512   | 12   |      | 1    |      |      |      | 1    |                              |      | EDGE DRAIN OUTLET                                |
| OUTSIDE SHLDR.                                       | 59.84    | 512   | 12   |      | 1    |      |      |      |      | 1                            |      | EDGE DRAIN OUTLET                                |
| OUTSIDE SHLDR.                                       | 59.94    | 512   | 12   |      | 1    |      |      |      |      | 1                            |      | EDGE DRAIN OUTLET                                |
| OUTSIDE SHLDR.                                       | 60.03    | 512   | 12   |      | 1    |      |      |      |      | 1                            |      | EDGE DRAIN OUTLET                                |
| OUTSIDE SHLDR.                                       | 60.11    | 385   | 12   | 12   | 1    | 1    |      |      |      | 1                            |      | LOW POINT OF ROADWAY PROFILE - EDGE DRAIN OUTLET |
| OUTSIDE SHLDR.                                       | 60.17    | 322   | 12   |      | 1    |      |      |      |      | 1                            |      | EDGE DRAIN OUTLET                                |
| OUTSIDE SHLDR.                                       | 60.26    | 512   | 12   |      | 1    |      |      |      |      | 1                            |      | EDGE DRAIN OUTLET                                |
| OUTSIDE SHLDR.                                       | 60.35    | 512   | 12   |      | 1    |      |      |      | 1    |                              |      | EDGE DRAIN OUTLET                                |
| OUTSIDE SHLDR.                                       | 60.45    | 512   | 12   |      | 1    |      |      |      |      | 1                            |      | EDGE DRAIN OUTLET                                |
| OUTSIDE SHLDR.                                       | 60.54    | 512   | 12   |      | 1    |      |      |      |      | 1                            |      | EDGE DRAIN OUTLET                                |
| OUTSIDE SHLDR.                                       | 60.64    | 512   | 12   |      | 1    |      |      |      | 1    |                              |      | EDGE DRAIN OUTLET                                |
| OUTSIDE SHLDR.                                       | 60.74    | 500   |      |      |      |      |      |      |      |                              |      | HIGH POINT OF ROADWAY PROFILE                    |
| OUTSIDE SHLDR.                                       | 60.83    | 512   | 12   |      | 1    |      |      | 1    |      | 1                            |      | EDGE DRAIN OUTLET                                |
| OUTSIDE SHLDR.                                       | 60.93    | 512   | 12   |      |      |      |      | 1    |      | 1                            |      | EDGE DRAIN OUTLET                                |
| OUTSIDE SHLDR.                                       | 61.02    | 512   | 12   |      | 1    |      |      |      |      | 1                            |      | EDGE DRAIN OUTLET                                |
| OUTSIDE SHLDR.                                       | 61.11    | 512   | 12   |      | 1    |      |      |      |      | 1                            |      | EDGE DRAIN OUTLET                                |
| OUTSIDE SHLDR.                                       | 61.21    | 512   | 12   |      | 1    |      |      |      |      | 1                            |      | EDGE DRAIN OUTLET                                |
| OUTSIDE SHLDR.                                       | 61.30    | 512   | 12   |      | 1    |      |      |      |      | 1                            |      | EDGE DRAIN OUTLET                                |
| OUTSIDE SHLDR.                                       | 61.40    | 512   | 12   |      | 1    |      |      |      | 1    |                              |      | EDGE DRAIN OUTLET                                |
| OUTSIDE SHLDR.                                       | 61.49    | 512   | 12   |      |      |      |      |      | 1    |                              |      | EDGE DRAIN OUTLET                                |
| OUTSIDE SHLDR.                                       | 61.59    | 512   | 12   |      |      |      |      | 1    |      |                              |      | EDGE DRAIN OUTLET                                |
| OUTSIDE SHLDR.                                       | 61.68    | 512   | 12   |      |      |      |      |      | 1    |                              |      | EDGE DRAIN OUTLET                                |
| EQUATION STA. 3251+68.57 BACK = STA. 3247+69.52 AHD. |          |       |      |      |      |      |      |      |      |                              |      |  |
| OUTSIDE SHLDR.                                       | 61.79    | 512   | 12   |      |      |      |      |      | 1    |                              |      | EDGE DRAIN OUTLET ON RAMP A OUTSIDE SHLDR.       |
| OUTSIDE SHLDR.                                       | 61.86    | 362   | 12   |      |      |      |      |      | 1    |                              |      | EDGE DRAIN OUTLET ON RAMP A OUTSIDE SHLDR.       |
| OUTSIDE SHLDR.                                       | 61.86    |       |      |      |      |      |      |      |      |                              |      | BEGIN EDGE DRAIN IN GORE                         |
| OUTSIDE SHLDR.                                       | 61.93    | 397   | 12   |      |      |      |      |      | 1    |                              |      | EDGE DRAIN OUTLET                                |
| OUTSIDE SHLDR.                                       | 62.00    | 397   | 12   |      | 1    |      |      |      |      |                              |      | EDGE DRAIN OUTLET - END EDGE DRAIN               |
| OUTSIDE SHLDR.                                       | 62.04    |       |      |      |      |      |      |      |      |                              |      | BEGIN EDGE DRAIN                                 |
| OUTSIDE SHLDR.                                       | 62.13    | 487   | 12   |      |      |      |      |      |      |                              |      | EDGE DRAIN OUTLET                                |
| OUTSIDE SHLDR.                                       | 62.22    | 487   | 12   |      |      |      |      |      | 1    |                              |      | EDGE DRAIN OUTLET - END EDGE DRAIN               |

**SOUTHBOUND PERFORATED PIPE SUMMARY**  
**I-75 ROCKCASTLE COUNTY**  
**MP 58.954 TO MP 65.220**  
**ITEM NUMBERS 8-2010.0 & 8-2011.0**

| Location  | Milepost | LF                     |                        |                              |                              |  |  |  |  |  |                              | Comments   |
|---|----------|------------------------|------------------------|------------------------------|------------------------------|--|--|--|--|--|------------------------------|--|
|   |          | Units                  |                        |                              |                              |  |  |  |  |  |                              |  |
|   |          | Perforated Pipe 4 Inch | Perforated Pipe 6 Inch | Non-Perforated Pipe - 4 Inch | Non-Perforated Pipe - 6 Inch | Perforated Pipe 4 Inch Headwall Type 1 | Perforated Pipe 6 Inch Headwall Type 1 | Perforated Pipe 6 Inch Headwall Type 3 | Perforated Pipe 4 Inch Headwall Type 2 | Perforated Pipe 4 Inch Headwall Type 3 | Crushed Aggregate Size No. 2 |  |
| Item Number   | 1000     | 1001                   | 1010                   | 1011                         | 1020                         | 1021                                   | 1029                                   | 1024                                   | 1028                                   | Tons                                   | 78                           |  |
| OUTSIDE SHLDR.  | 62.31    |                        |                        |                              |                              |  |  |  |  |  |                              | BEGIN EDGE DRAIN                                 |
| OUTSIDE SHLDR.  | 62.40    | 462                    |                        | 12                           |                              |  |  |  | 1                                      |  | 1                            | EDGE DRAIN OUTLET                                |
| OUTSIDE SHLDR.  | 62.48    | 462                    |                        | 12                           |                              |  |  |  |  |  | 1                            | EDGE DRAIN OUTLET                                |
| OUTSIDE SHLDR.  | 62.57    | 450                    | 12                     |                              | 12                           | 1                                      |  |  |  |  | 1                            | LOW POINT OF ROADWAY PROFILE - EDGE DRAIN OUTLET |
| OUTSIDE SHLDR.  | 62.64    | 520                    |                        |                              |                              |  |  |  |  |  |                              | END EDGE DRAIN AT BRIDGE END                     |
| OUTSIDE SHLDR.  | 62.65    | 12                     |                        |                              | 12                           | 1                                      |  |  |  |  | 1                            | EDGE DRAIN OUTLET AT BRIDGE END                  |
| OUTSIDE SHLDR.  | 62.78    | 12                     | 650                    | 12                           |                              |  |  |  | 1                                      |  | 1                            | EDGE DRAIN OUTLET                                |
| OUTSIDE SHLDR.  | 62.87    | 512                    |                        | 12                           | 1                            |  |  |  |  |  | 1                            | EDGE DRAIN OUTLET                                |
| OUTSIDE SHLDR.  | 62.97    | 512                    |                        | 12                           |                              |  |  |  | 1                                      |  | 1                            | EDGE DRAIN OUTLET                                |
| OUTSIDE SHLDR.  | 63.06    | 512                    |                        | 12                           |                              |  |  |  | 1                                      |  | 1                            | EDGE DRAIN OUTLET                                |
| OUTSIDE SHLDR.  | 63.16    | 512                    |                        | 12                           |                              |  |  | 1                                      |  |  | 1                            | EDGE DRAIN OUTLET                                |
| OUTSIDE SHLDR.  | 63.25    | 512                    |                        | 12                           | 1                            |  |  |  |  |  | 1                            | EDGE DRAIN OUTLET                                |
| OUTSIDE SHLDR.  | 63.35    | 512                    |                        | 12                           |                              |  |  |  | 1                                      |  | 1                            | EDGE DRAIN OUTLET                                |
| OUTSIDE SHLDR.  | 63.44    | 512                    |                        | 12                           |                              |  |  |  | 1                                      |  | 1                            | EDGE DRAIN OUTLET                                |
| OUTSIDE SHLDR.  | 63.54    | 512                    |                        | 12                           |                              |  |  |  | 1                                      |  | 1                            | EDGE DRAIN OUTLET                                |
| OUTSIDE SHLDR.  | 63.64    | 512                    |                        | 12                           |                              |  |  |  | 1                                      |  | 1                            | EDGE DRAIN OUTLET                                |
| OUTSIDE SHLDR.  | 63.73    | 512                    |                        | 12                           | 1                            |  |  |  |  |  | 1                            | EDGE DRAIN OUTLET                                |
| OUTSIDE SHLDR.  | 63.83    | 500                    |                        |                              |                              |  |  |  |  |  |                              | HIGH POINT OF ROADWAY PROFILE                    |
| OUTSIDE SHLDR.  | 63.92    | 512                    |                        | 12                           |                              |  |  |  | 1                                      |  | 1                            | EDGE DRAIN OUTLET                                |
| <b>EQUATION STA. 3364+36.22 BACK = STA. 3364+27.91 AHD.</b> |          |                        |                        |                              |                              |  |  |  |  |  |                              |  |
| OUTSIDE SHLDR.  | 64.02    | 512                    |                        | 12                           |                              |  |  |  |  |  | 1                            | EDGE DRAIN OUTLET                                |
| OUTSIDE SHLDR.  | 64.11    | 512                    |                        | 12                           |                              |  |  | 1                                      |  |  | 1                            | EDGE DRAIN OUTLET                                |
| OUTSIDE SHLDR.  | 64.21    | 512                    |                        | 12                           | 1                            |  |  |  |  |  | 1                            | EDGE DRAIN OUTLET                                |
| OUTSIDE SHLDR.  | 64.30    | 512                    |                        | 12                           |                              |  |  |  | 1                                      |  | 1                            | EDGE DRAIN OUTLET                                |
| OUTSIDE SHLDR.  | 64.39    | 512                    |                        | 12                           |                              |  |  |  | 1                                      |  | 1                            | EDGE DRAIN OUTLET                                |
| OUTSIDE SHLDR.  | 64.49    | 512                    |                        | 12                           |                              |  |  |  | 1                                      |  | 1                            | EDGE DRAIN OUTLET                                |
| OUTSIDE SHLDR.  | 64.58    | 512                    |                        | 12                           |                              |  |  | 1                                      |  |  | 1                            | EDGE DRAIN OUTLET                                |
| OUTSIDE SHLDR.  | 64.68    | 512                    |                        | 12                           |                              |  |  | 1                                      |  |  | 1                            | EDGE DRAIN OUTLET                                |
| OUTSIDE SHLDR.  | 64.78    | 512                    |                        | 12                           |                              |  |  |  | 1                                      |  | 1                            | EDGE DRAIN OUTLET                                |
| OUTSIDE SHLDR.  | 64.87    | 512                    |                        | 12                           |                              |  |  |  | 1                                      |  | 1                            | EDGE DRAIN OUTLET                                |
| OUTSIDE SHLDR.  | 64.95    | 410                    | 12                     |                              |                              |  | 1                                      |  |  |  | 1                            | LOW POINT OF ROADWAY PROFILE - EDGE DRAIN OUTLET |
| OUTSIDE SHLDR.  | 65.04    | 512                    |                        | 12                           | 1                            |  |  |  |  |  | 1                            | EDGE DRAIN OUTLET                                |
| OUTSIDE SHLDR.  | 65.14    | 512                    |                        | 12                           | 1                            |  |  |  |  |  | 1                            | EDGE DRAIN OUTLET                                |
| OUTSIDE SHLDR.  | 65.22    | 465                    |                        |                              |                              |  |  |  |  |  |                              | END EDGE DRAIN / END PROJECT                     |
| <b>EQUATION STA. 3432+65.19 BACK = STA. 3437+00.00 AHD.</b> |          |                        |                        |                              |                              |  |  |  |  |  |                              |  |
| <b>SOUTHBOUND TOTAL</b>                                     |          | 30,761                 | 1,218                  | 696                          | 48                           | 25                                     | 3                                      | 1                                      | 5                                      | 28                                     | 62                           |  |
| <b>PROJECT TOTAL</b>  |          | 61,427                 | 3,038                  | 1,404                        | 108                          | 52                                     | 5                                      | 4                                      | 12                                     | 53                                     | 126                          |  |



## PERFORATED PIPE DRAIN OUTLET

I-75

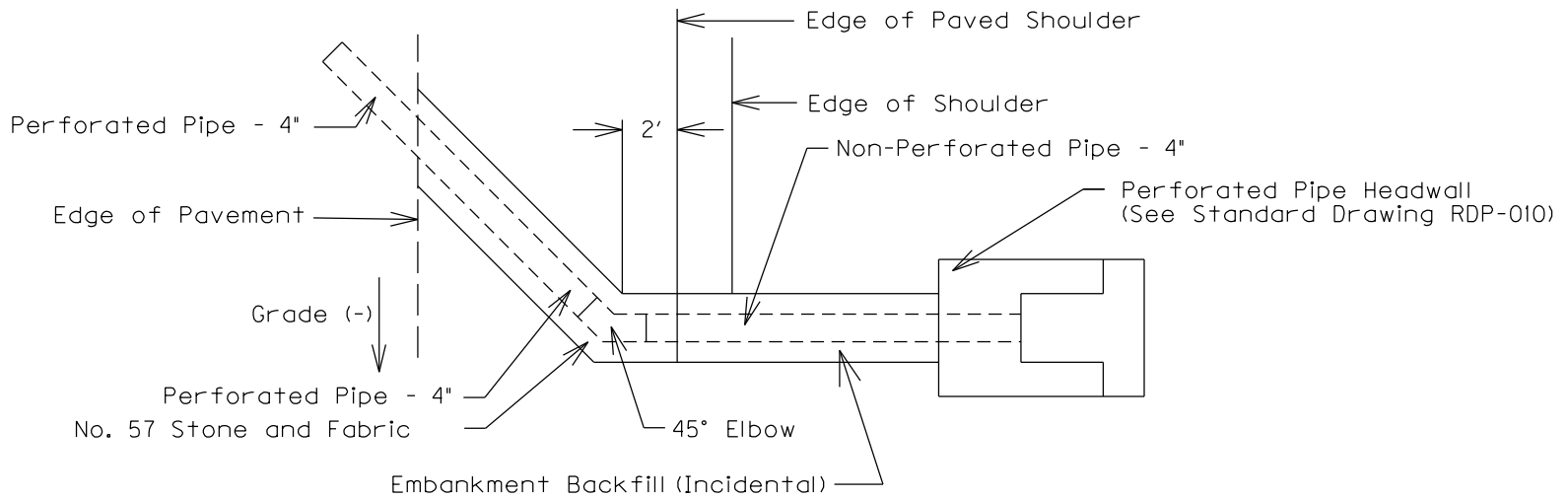
ITEM NOS. 8-2010.0 & 8-2011.0

ROCKCASTLE COUNTY

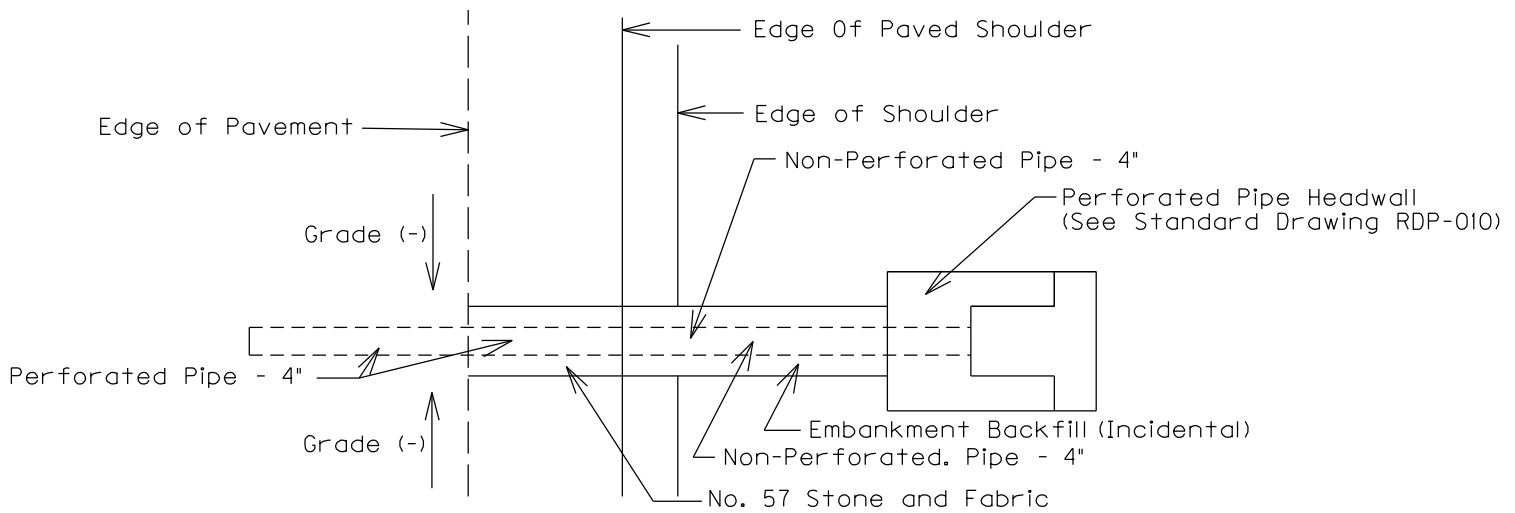
FD04 SPP 102 0075 058-066



USE ON GRADES



USE IN SAGS



Not To Scale

PERFORATED PIPE OUTLET AND HEADWALL

\*NOTE : EMBANKMENT BACKFILL IS INCIDENTAL TO NON-PERFORATED PIPE

I-75

ITEM NOS. 8-2010.0 & 8-2011.0

ROCKCASTLE COUNTY

FD04 SPP 102 0075 058-066

### PROPOSAL BID ITEMS

141035

Page 1 of 3

Report Date 7/7/14

#### Section: 0001 - PAVING

| LINE | BID CODE | ALT | DESCRIPTION   | QUANTITY   | UNIT | UNIT PRICE | FP | AMOUNT       |
|------|----------|-----|---|------------|------|------------|----|--------------|
| 0010 | 00001    |     | DGA BASE  | 582.00     | TON  |            | \$ |              |
| 0020 | 00018    |     | DRAINAGE BLANKET-TYPE II-ASPH   | 2,149.00   | TON  |            | \$ |              |
| 0030 | 00100    |     | ASPHALT SEAL AGGREGATE  | 1,456.00   | TON  |            | \$ |              |
| 0040 | 00103    |     | ASPHALT SEAL COAT   | 175.00     | TON  |            | \$ |              |
| 0050 | 00194    |     | LEVELING & WEDGING PG76-22  | 377.00     | TON  |            | \$ |              |
| 0060 | 00214    |     | CL3 ASPH BASE 1.00D PG64-22   | 16,740.00  | TON  |            | \$ |              |
|      |          |     | CL3 ASPH BASE 1.00D PG64-22<br>QUANTITY FOR PERFORATED PIPE EDGE<br>DRAIN CAP |            |      |            |    |              |
| 0070 | 00214    |     |   | 2,167.00   | TON  |            | \$ |              |
| 0080 | 00219    |     | CL4 ASPH BASE 1.00D PG76-22   | 43,410.00  | TON  |            | \$ |              |
| 0090 | 00339    |     | CL3 ASPH SURF 0.38D PG64-22   | 4,801.00   | TON  |            | \$ |              |
| 0100 | 00342    |     | CL4 ASPH SURF 0.38A PG76-22   | 14,383.00  | TON  |            | \$ |              |
| 0110 | 00389    |     | CL3 ASPH SURF 0.38D PG76-22   | 1,636.00   | TON  |            | \$ |              |
| 0120 | 02110    |     | PARTIAL DEPTH PATCHING  | 27.00      | CUFT |            | \$ |              |
| 0130 | 02676    |     | MOBILIZATION FOR MILL & TEXT  | 1.00       | LS   |            | \$ |              |
| 0140 | 02677    |     | ASPHALT PAVE MILLING & TEXTURING  | 25,263.00  | TON  |            | \$ |              |
| 0150 | 10020NS  |     | FUEL ADJUSTMENT   | 114,172.00 | DOLL | \$1.00     | \$ | \$114,172.00 |
| 0160 | 10030NS  |     | ASPHALT ADJUSTMENT  | 201,195.00 | DOLL | \$1.00     | \$ | \$201,195.00 |
| 0170 | 20757ED  |     | PAVEMENT REPAIR   | 100.00     | SQYD |            | \$ |              |

#### Section: 0002 - ROADWAY

| LINE | BID CODE | ALT | DESCRIPTION   | QUANTITY  | UNIT | UNIT PRICE | FP | AMOUNT |
|------|----------|-----|---|-----------|------|------------|----|--------|
| 0180 | 00078    |     | CRUSHED AGGREGATE SIZE NO 2                         | 130.00    | TON  |            | \$ |        |
| 0190 | 01820    |     | LIP CURB AND GUTTER                                 | 854.00    | LF   |            | \$ |        |
| 0200 | 01904    |     | REMOVE CURB   | 854.00    | LF   |            | \$ |        |
|      |          |     | DELINEATOR FOR GUARDRAIL MONO<br>DIRECTIONAL WHITE  |           |      |            |    |        |
| 0210 | 01982    |     |   | 468.00    | EACH |            | \$ |        |
|      |          |     | DELINEATOR FOR GUARDRAIL MONO<br>DIRECTIONAL YELLOW |           |      |            |    |        |
| 0220 | 01983    |     |   | 17.00     | EACH |            | \$ |        |
| 0230 | 01984    |     | DELINEATOR FOR BARRIER - WHITE                      | 54.00     | EACH |            | \$ |        |
| 0240 | 01985    |     | DELINEATOR FOR BARRIER - YELLOW                     | 54.00     | EACH |            | \$ |        |
| 0250 | 02200    |     | ROADWAY EXCAVATION                                  | 515.00    | CUYD |            | \$ |        |
| 0260 | 02352    |     | GUARDRAIL-STEEL W BEAM-D FACE                       | 687.50    | LF   |            | \$ |        |
| 0270 | 02360    |     | GUARDRAIL TERMINAL SECTION NO 1                     | 5.00      | EACH |            | \$ |        |
|      |          |     | GUARDRAIL CONNECTOR TO BRIDGE END<br>TY A           |           |      |            |    |        |
| 0280 | 02363    |     |   | 10.00     | EACH |            | \$ |        |
| 0290 | 02365    |     | CRASH CUSHION TYPE IX-A                             | 5.00      | EACH |            | \$ |        |
| 0300 | 02367    |     | GUARDRAIL END TREATMENT TYPE 1                      | 23.00     | EACH |            | \$ |        |
| 0310 | 02369    |     | GUARDRAIL END TREATMENT TYPE 2A                     | 39.00     | EACH |            | \$ |        |
| 0320 | 02373    |     | GUARDRAIL END TREATMENT TYPE 3                      | 3.00      | EACH |            | \$ |        |
| 0330 | 02381    |     | REMOVE GUARDRAIL                                    | 38,025.00 | LF   |            | \$ |        |
|      |          |     | GUARDRAIL CONNECTOR TO BRIDGE END<br>TY A-1         |           |      |            |    |        |
| 0340 | 02387    |     |   | 7.00      | EACH |            | \$ |        |
| 0350 | 02391    |     | GUARDRAIL END TREATMENT TYPE 4A                     | 3.00      | EACH |            | \$ |        |
| 0360 | 02562    |     | TEMPORARY SIGNS                                     | 1,000.00  | SQFT |            | \$ |        |
| 0370 | 02565    |     | OBJECT MARKER TYPE 2                                | 10.00     | EACH |            | \$ |        |
| 0380 | 02650    |     | MAINTAIN & CONTROL TRAFFIC                          | 1.00      | LS   |            | \$ |        |

**PROPOSAL BID ITEMS**

141035

Page 2 of 3

Report Date 7/7/14

| LINE | BID CODE   | ALT | DESCRIPTION  | QUANTITY   | UNIT | UNIT PRICE | FP | AMOUNT |
|------|------------|-----|--|------------|------|------------|----|--------|
| 0390 | 02671      |     | PORTABLE CHANGEABLE MESSAGE SIGN                           | 4.00       | EACH |            | \$ |        |
| 0400 | 02696      |     | SHOULDER RUMBLE STRIPS-SAWED                               | 130,541.00 | LF   |            | \$ |        |
| 0410 | 02775      |     | ARROW PANEL  | 2.00       | EACH |            | \$ |        |
| 0420 | 06412      |     | STEEL POST MILE MARKERS                                    | 14.00      | EACH |            | \$ |        |
| 0430 | 06417      |     | FLEXIBLE DELINEATOR POST-W                                 | 401.00     | EACH |            | \$ |        |
| 0440 | 06418      |     | FLEXIBLE DELINEATOR POST-Y                                 | 69.00      | EACH |            | \$ |        |
| 0450 | 06511      |     | PAVE STRIPING-TEMP PAINT-6 IN                              | 383,142.00 | LF   |            | \$ |        |
| 0460 | 24189ER    |     | DURABLE WATERBORNE MARKING-6 IN W<br>WHITE REVISED 7-2-14  | 88,841.00  | LF   |            | \$ |        |
| 0470 | 24190ER    |     | DURABLE WATERBORNE MARKING-6 IN Y<br>YELLOW REVISED 7-2-14 | 71,686.00  | LF   |            | \$ |        |
| 0480 | 24191ER    |     | DURABLE WATERBORNE MARKING-12 IN W<br>REVISED 7-2-14       | 2,745.00   | LF   |            | \$ |        |
| 0490 | 06568      |     | PAVE MARKING-THERMO STOP BAR-24IN                          | 183.00     | LF   |            | \$ |        |
| 0500 | 06592      |     | PAVEMENT MARKER TYPE V-B W/R                               | 925.00     | EACH |            | \$ |        |
| 0510 | 06593      |     | PAVEMENT MARKER TYPE V-B Y/R                               | 160.00     | EACH |            | \$ |        |
| 0520 | 06600      |     | REMOVE PAVEMENT MARKER TYPE V                              | 200.00     | EACH |            | \$ |        |
| 0530 | 20432ES112 |     | REMOVE CRASH CUSHION                                       | 5.00       | EACH |            | \$ |        |
| 0540 | 21533EN    |     | EMBANKMENT   | 100.00     | CUYD |            | \$ |        |
| 0550 | 21802EN    |     | G/R STEEL W BEAM-S FACE (7 FT POST)                        | 39,425.00  | LF   |            | \$ |        |
| 0560 | 23143ED    |     | KPDES PERMIT AND TEMP EROSION<br>CONTROL                   | 1.00       | LS   |            | \$ |        |
| 0570 | 06556      |     | PAVE STRIPING-DUR TY 1-6 IN W<br>REVISED 7-2-14            | 673.00     | LF   |            | \$ |        |
| 0580 | 06557      |     | PAVE STRIPING-DUR TY 1-6 IN Y<br>REVISED 7-2-14            | 538.00     | LF   |            | \$ |        |

**Section: 0003 - DRAINAGE**

| LINE | BID CODE | ALT | DESCRIPTION                                 | QUANTITY  | UNIT | UNIT PRICE | FP | AMOUNT |
|------|----------|-----|---|-----------|------|------------|----|--------|
| 0590 | 00461    |     | CULVERT PIPE-15 IN                          | 40.00     | LF   |            | \$ |        |
| 0600 | 00462    |     | CULVERT PIPE-18 IN                          | 8.00      | LF   |            | \$ |        |
| 0610 | 00464    |     | CULVERT PIPE-24 IN                          | 4.00      | LF   |            | \$ |        |
| 0620 | 01000    |     | PERFORATED PIPE-4 IN                        | 61,427.00 | LF   |            | \$ |        |
| 0630 | 01001    |     | PERFORATED PIPE-6 IN                        | 3,038.00  | LF   |            | \$ |        |
| 0640 | 01010    |     | NON-PERFORATED PIPE-4 IN<br>REVISED: 7-7-14 | 1,404.00  | LF   |            | \$ |        |
| 0650 | 01011    |     | NON-PERFORATED PIPE-6 IN<br>REVISED: 7-7-14 | 108.00    | LF   |            | \$ |        |
| 0660 | 01015    |     | INSPECT & CERTIFY EDGE DRAIN SYSTEM         | 1.00      | LS   |            | \$ |        |
| 0670 | 01020    |     | PERF PIPE HEADWALL TY 1-4 IN                | 52.00     | EACH |            | \$ |        |
| 0680 | 01021    |     | PERF PIPE HEADWALL TY 1-6 IN                | 5.00      | EACH |            | \$ |        |
| 0690 | 01024    |     | PERF PIPE HEADWALL TY 2-4 IN                | 12.00     | EACH |            | \$ |        |
| 0700 | 01028    |     | PERF PIPE HEADWALL TY 3-4 IN                | 52.00     | EACH |            | \$ |        |
| 0710 | 01029    |     | PERF PIPE HEADWALL TY 3-6 IN                | 4.00      | EACH |            | \$ |        |
| 0720 | 01202    |     | PIPE CULVERT HEADWALL-15 IN                 | 1.00      | EACH |            | \$ |        |
| 0730 | 01204    |     | PIPE CULVERT HEADWALL-18 IN                 | 1.00      | EACH |            | \$ |        |
| 0740 | 01451    |     | S & F BOX INLET-OUTLET-24 IN                | 1.00      | EACH |            | \$ |        |
| 0750 | 01691    |     | FLUME INLET TYPE 2                          | 2.00      | EACH |            | \$ |        |
| 0760 | 01877    |     | SPECIAL HEADER CURB<br>CONCRETE             | 260.00    | LF   |            | \$ |        |

**PROPOSAL BID ITEMS**

141035

Page 3 of 3

Report Date 7/7/14

| LINE | BID CODE | ALT | DESCRIPTION              | QUANTITY  | UNIT | UNIT PRICE | FP | AMOUNT |
|------|----------|-----|--------------------------|-----------|------|------------|----|--------|
| 0770 | 02220    |     | FLOWABLE FILL            | 3.00      | CUYD |            | \$ |        |
| 0780 | 02237    |     | DITCHING                 | 33,000.00 | LF   |            | \$ |        |
| 0790 | 02483    |     | CHANNEL LINING CLASS II  | 40.00     | TON  |            | \$ |        |
| 0800 | 02484    |     | CHANNEL LINING CLASS III | 136.00    | TON  |            | \$ |        |
| 0810 | 08100    |     | CONCRETE-CLASS A         | 5.00      | CUYD |            | \$ |        |
| 0820 | 20366NN  |     | REPLACE GRATE            | 3.00      | EACH |            | \$ |        |
| 0830 | 20465EC  |     | CLEAN CULVERT            | 1.00      | LS   |            | \$ |        |

**Section: 0004 - TRAFFIC LOOPS**

| LINE | BID CODE   | ALT | DESCRIPTION                    | QUANTITY | UNIT | UNIT PRICE | FP | AMOUNT |
|------|------------|-----|--------------------------------|----------|------|------------|----|--------|
| 0840 | 04793      |     | CONDUIT-1 1/4 IN               | 60.00    | LF   |            | \$ |        |
| 0850 | 04795      |     | CONDUIT-2 IN                   | 20.00    | LF   |            | \$ |        |
| 0860 | 04820      |     | TRENCHING AND BACKFILLING      | 70.00    | LF   |            | \$ |        |
| 0870 | 04829      |     | PIEZOELECTRIC SENSOR           | 4.00     | EACH |            | \$ |        |
| 0880 | 04830      |     | LOOP WIRE                      | 1,600.00 | LF   |            | \$ |        |
| 0890 | 04895      |     | LOOP SAW SLOT AND FILL         | 370.00   | LF   |            | \$ |        |
| 0900 | 20359NN    |     | GALVANIZED STEEL CABINET       | 2.00     | EACH |            | \$ |        |
| 0910 | 20360ES818 |     | WOOD POST                      | 4.00     | EACH |            | \$ |        |
| 0920 | 20391NS835 |     | ELECTRICAL JUNCTION BOX TYPE A | 2.00     | EACH |            | \$ |        |

**Section: 0005 - MOBILIZATION AND DEMOBILIZATION**

| LINE | BID CODE | ALT | DESCRIPTION    | QUANTITY | UNIT | UNIT PRICE | FP | AMOUNT |
|------|----------|-----|----------------|----------|------|------------|----|--------|
| 0930 | 02568    |     | MOBILIZATION   | 1.00     | LS   |            | \$ |        |
| 0940 | 02569    |     | DEMOBILIZATION | 1.00     | LS   |            | \$ |        |